

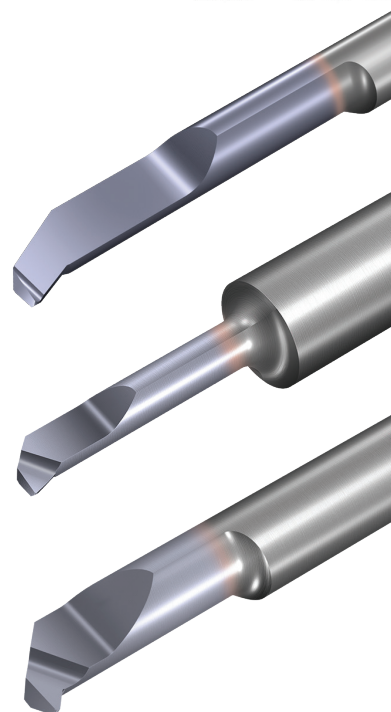
microscope

Micro Utensili per piccoli fori

Acquistando **10** inserti **microscope** identici
otterrai uno sconto

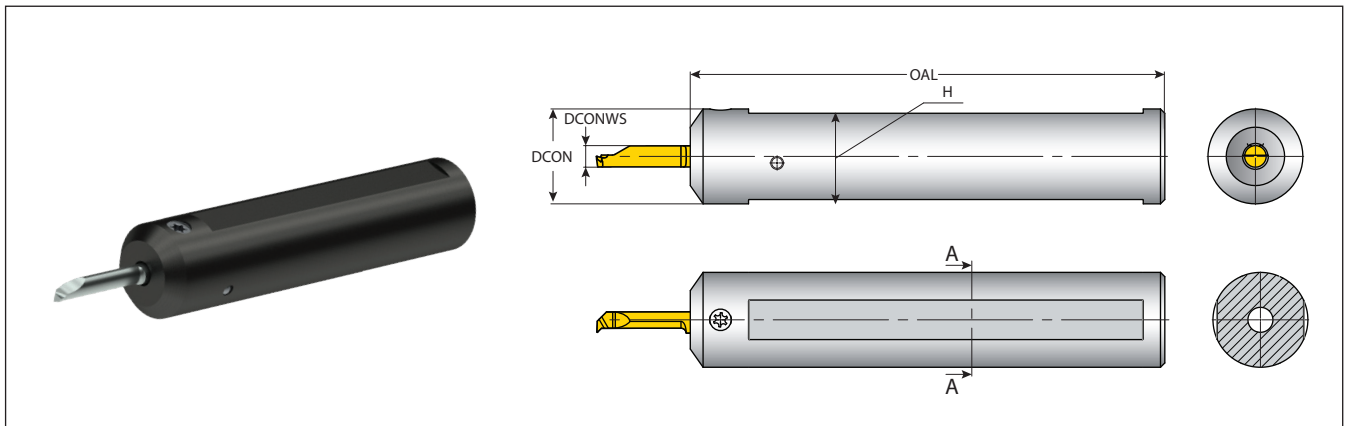
EXTRA 50%

sull'utensile MHR senza lubrificazione
interna corrispondente



Utensili attacco cilindrico

microscope



Metrico

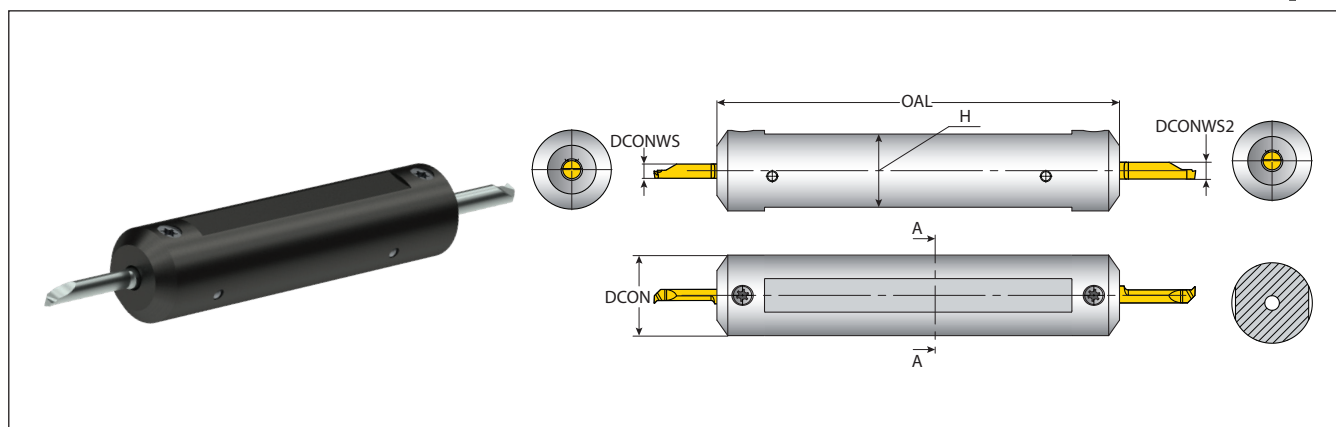
ISO 13399	DCONWS	Metric	DCON	H	OAL
VARGUS	<i>d</i>		<i>D</i>	<i>H</i>	<i>L</i>
	3	MHR12-3-2F	12	10.0	83.5
	3	MHR16-3-2F	16	14.0	83.5
	4	MHR16-4-2F	16	14.0	83.5
	5	MHR16-5-2F	16	14.0	83.5
	3	MHR20-3-2F	20	18.8	83.5
	4	MHR20-4-2F	20	18.8	83.5
	5	MHR20-5-2F	20	18.8	83.5
	6	MHR20-6-2F	20	18.8	83.5
	3	MHR22-3-2F	22	20.0	110
	4	MHR22-4-2F	22	20.0	110
	5	MHR22-5-2F	22	20.0	110
	6	MHR22-6-2F	22	20.0	110
	7	MHR22-7-2F	22	20.0	110
	3	MHR25-3-2F	25	23.0	110
	4	MHR25-4-2F	25	23.0	110
	5	MHR25-5-2F	25	23.0	110
	6	MHR25-6-2F	25	23.0	110
	7	MHR25-7-2F	25	23.0	110

VALIDITA'

Scadenza
30 Novembre 2024

Utensile ad attacco cilindrico doppio ingresso

microscope



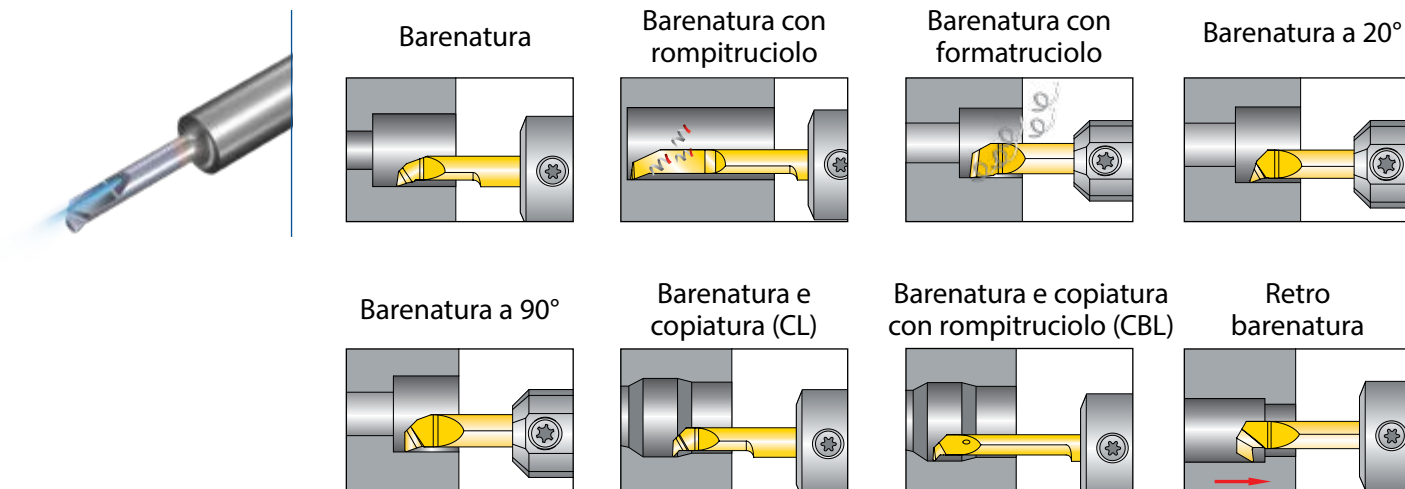
Metric Holders

ISO 13399	DCONWS	DCONWS2	Metric	DCON	H	OAL
VARGUS	<i>d</i>	<i>d2</i>		<i>D</i>	<i>H</i>	<i>L</i>
	3	4	MHR16-3-4-2F	16	14.0	83.5
	4	5	MHR16-4-5-2F	16	14.0	83.5
	3	4	MHR20-3-4-2F	20	18.8	83.5
	4	5	MHR20-4-5-2F	20	18.8	83.5
	5	6	MHR20-5-6-2F	20	18.8	8.5
	6	7	MHR20-6-7-2F	20	18.8	83.5
	3	4	MHR22-3-4-2F	22	20.0	110
	4	5	MHR22-4-5-2F	22	20.0	110
	5	6	MHR22-5-6-2F	22	20.0	110
	6	7	MHR22-6-7-2F	22	20.0	110
	3	4	MHR25-3-4-2F	25	23.0	110
	4	5	MHR25-4-5-2F	25	23.0	110
	5	6	MHR25-5-6-2F	25	23.0	110
	6	7	MHR25-6-7-2F	25	23.0	110

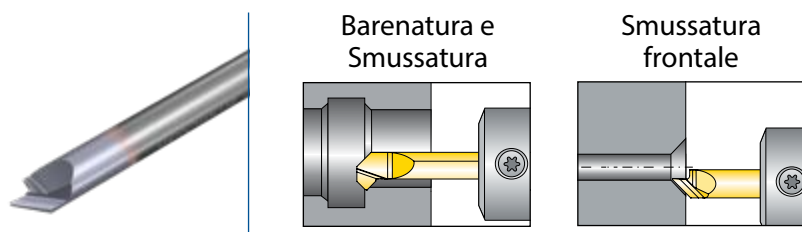
VALIDITA'

Scadenza
30 Novembre 2024

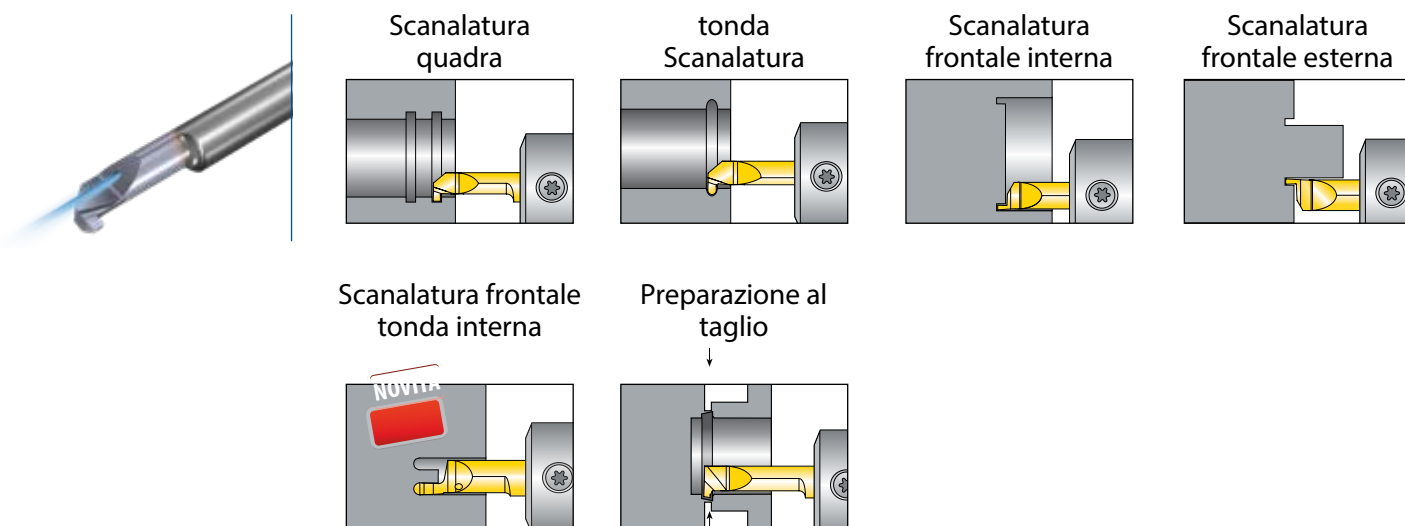
BARENATURA



SMUSSATURA



SCANALATURA



FILETTATURA

